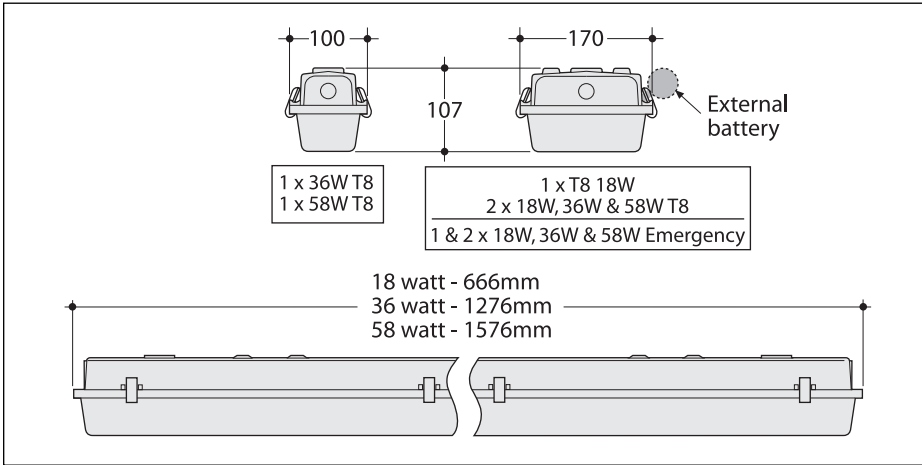


FGN-Line

Type 'n' (Zones 2 & 22) Anti-corrosive Fluorescent Luminaires

INSTALLATION INSTRUCTIONS



IP 65 Class 1

II 3 GD T90°C

Baseefa02ATEX0239X

# Restricted Breathing	# Unrestricted Breathing		kg
PFG 11801J	PFG 11807J	1 x 18W T8	3.1
PFG 11802J	PFG 11808J	2 x 18W T8	3.7
PFG 11803J	PFG 11809J	1 x 36W T8	3.2
PFG 11804J	PFG 11810J	2 x 36W T8	4.6
PFG 11805J	PFG 11811J	1 x 58W T8	4.2
PFG 11806J	PFG 11812J	2 x 58W T8	6.9

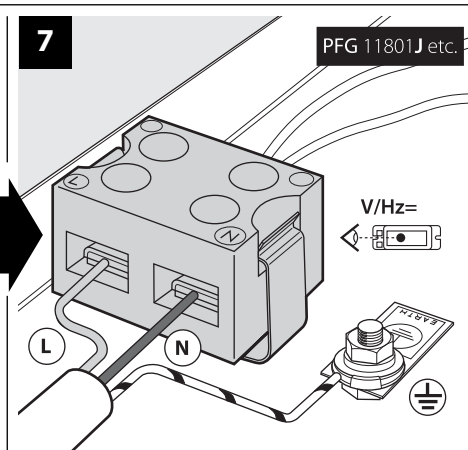
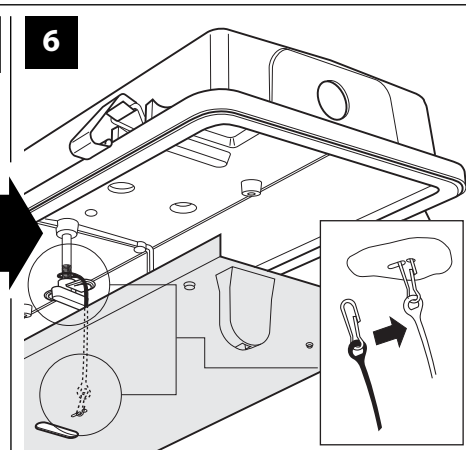
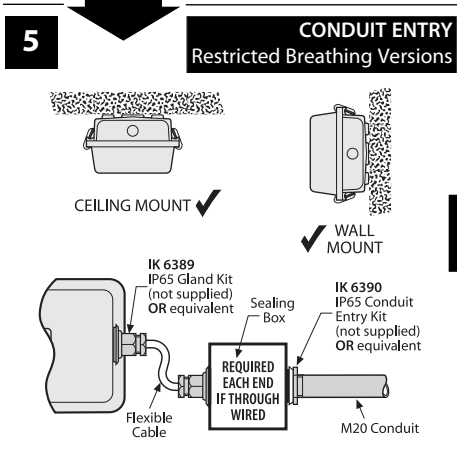
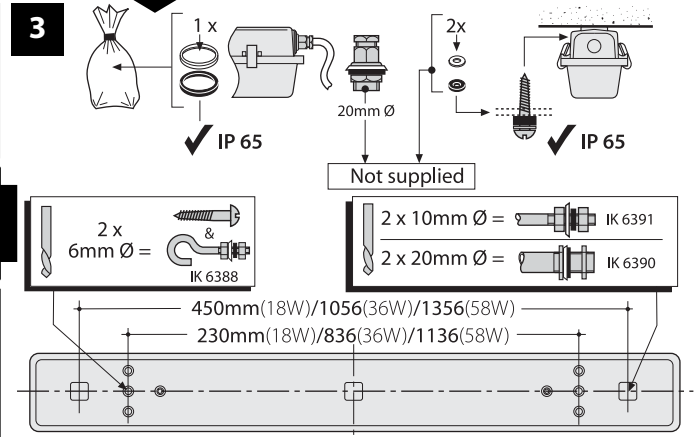
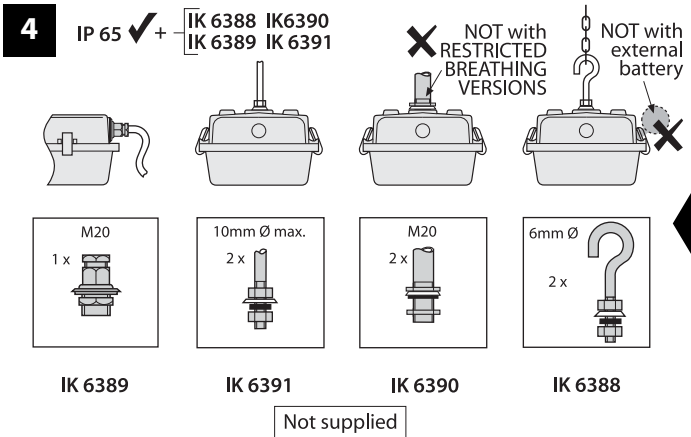
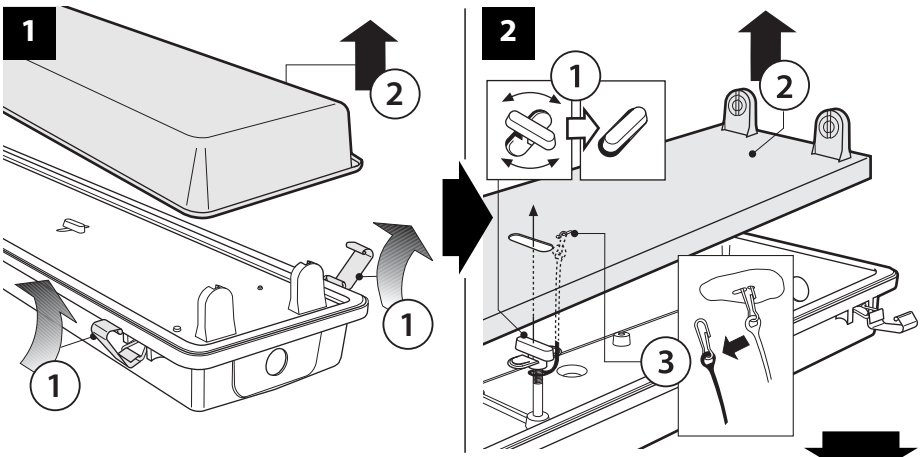
Emergency Range

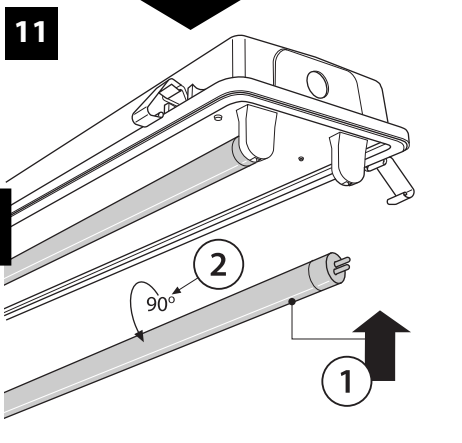
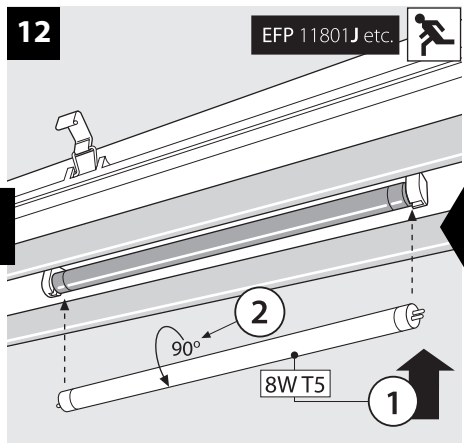
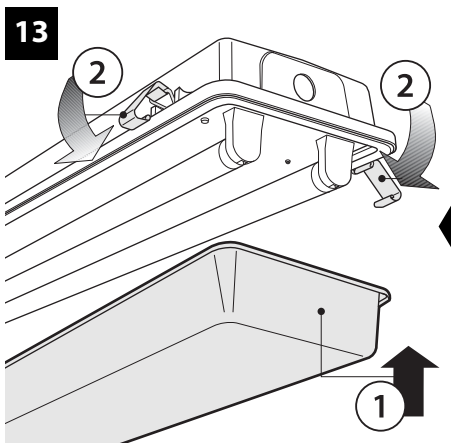
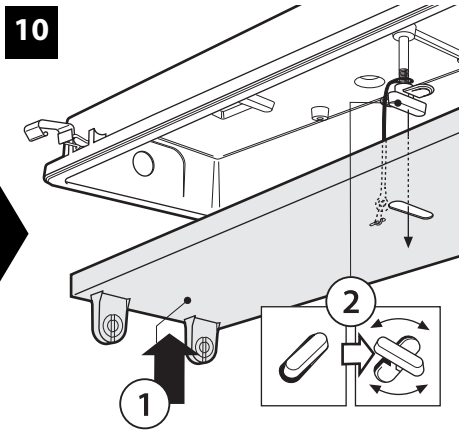
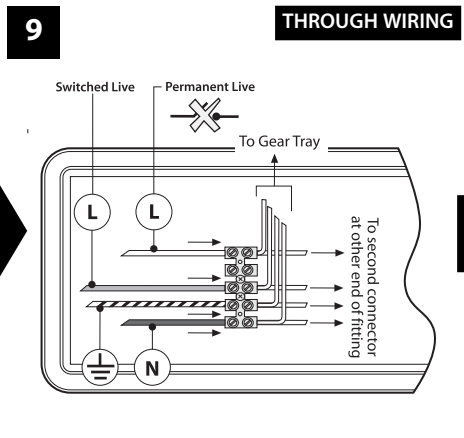
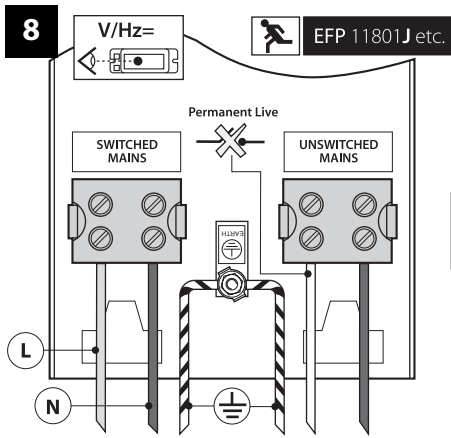
Integral Battery

# Restricted Breathing	# Unrestricted Breathing		kg
EFP 11801J	EFP 11807J	1 x 18W T8	3.8
EFP 11802J	EFP 11808J	2 x 18W T8	4.6
EFP 11803J	EFP 11809J	1 x 36W T8	3.9
EFP 11804J	EFP 11810J	2 x 36W T8	5.3
EFP 11805J	EFP 11811J	1 x 58W T8	4.9
EFP 11806J	EFP 11812J	2 x 58W T8	7.6

External Battery

EFP 11912J	EFP 11916J	1 x 18W T8	5.2
EFP 11913J	EFP 11917J	2 x 18W T8	5.8
EFP 12615J	EFP 12617J	1 x 36W T8	5.3
EFP 12616J	EFP 12618J	2 x 36W T8	6.7
EFP 11914J	EFP 11918J	1 x 58W T8	6.3
EFP 11915J	EFP 11919J	2 x 58W T8	9.0





	1200mm	1x 36W	PFG 11871
	1500mm	1x 58W	PFG 11872
Polycarbonate			
	600mm	1& 2x 18W	PFG 11873
	600mm	1x 18W*	PFG 11873
	1200mm	1x 36W*	PFG 11874
	1200mm	2x 36W	PFG 11874
	1500mm	1x 58W*	PFG 11875
	1500mm	2x 58W	PFG 11875
*Emergency			
Polycarbonate			

Mild Soap

Important-Safety

Before carrying out any servicing on this luminaire, ensure that the mains supply is fully isolated.

Disconnect luminaire before insulation testing of the installation.

- ### Special Conditions for Safe Use
- 1** These luminaires must not be installed in areas where fast moving air streams are likely to occur.
 - 2** On Restricted Breathing versions, the cables must enter the luminaire using Installation Kit IK 6389, or other certified compression gland to retain the IP 65 and Restricted Breathing classification. Compound filled glands are not permitted.
 - 3** Unused holes must be sealed to retain the IP 65 and Restricted Breathing classification.
 - 4** If cables enter via conduit, use sealing boxes and glands to retain the IP 65 and Restricted Breathing classification.
 - 5** The FGN-Line is only suitable for use in low-impact risk areas.

EMERGENCY LUMINAIRES

If the cable from the battery pack is disconnected from the terminal block on the gear tray, precautions must be taken to prevent the ends of the wires from coming into contact with each other. Ensure that the wires are reconnected in the same terminals from which they were removed.

FITTINGS WITH EXTERNAL BATTERY WILL NOT BALANCE!

Certification

Luminaires have been certified by Baseefa 2001 for use in Hazardous Areas Classified Type 'n' (Zone 2 & 22 Gas and Dust) and should be installed in accordance with current installation standards for those areas. It is essential the installation details are followed in addition to the basic requirements of the standards.

Operation & Maintenance

Failed lamps should be replaced promptly or the circuit switched off to avoid possible damage to control gear. Continual operation at mains volt ages in excess of the rated voltage will reduce lamp and expected gear life.

The FGN-Line uses plastic components in its construction and when installed in environments containing chemicals, degradation may occur. Clean covers periodically, in warm soapy water. Please contact our Technical Department for advice.

Modifications

Thorlux products should not be modified. Any modification may render the product unsafe and will invalidate any Safety/Approval marks. Thorlux will not accept any responsibility for any modified products or for any damage caused as a result of their modification.

NOTICE TO CONTRACTOR - PLEASE PASS THIS LEAFLET TO THE END-USER



MERSE ROAD NORTH MOONS MOAT
REDDITCH WORCS B98 9HH ENGLAND
Tel +44 (0)1527 583200 Fax +44 (0)1527 584177
e-mail thorlux@thorlux.co.uk Web www.thorlux.com

